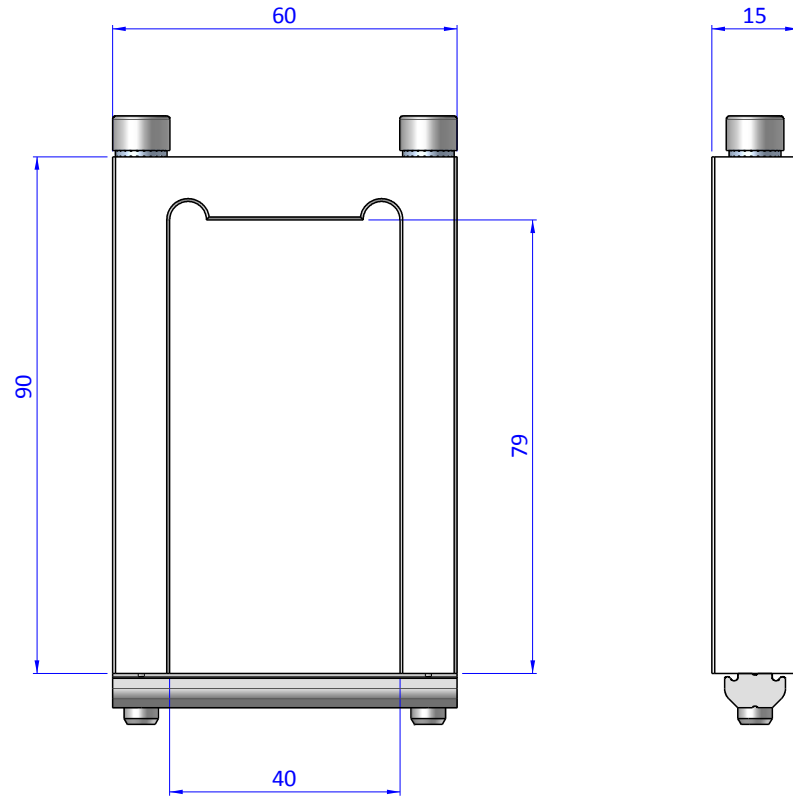
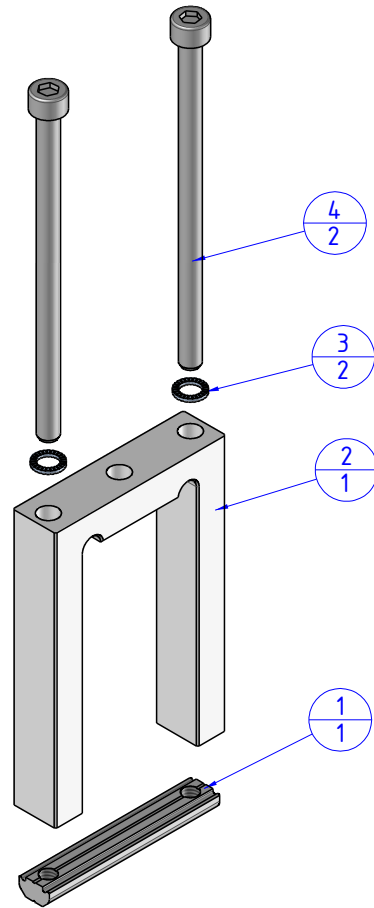



THE PROPERTY OF THE DRAWING IS ESTABLISHED BY LAW. IT IS FORBIDDEN TO PRODUCE OR SHOW IT TO THIRD PARTY, WITHOUT A WRITTEN AGREEMENT.

Item	Name	Q.ty
1	CA.GWP.6.50	1
2	KBVJU.4080	1
3	R.6.SCH	2
4	V.TCE6x100	2



Format A3

UNI 936-76

 FPS SERVICES AUTOMATION		DESIGNED FROM		REVIEW
		FPS Automation		A
GENERAL TOLERANCE		DATE	WEIGHT	
UNI - ISO 2768		01/08/2019	0,096kg	
CLASSE f		CODE		CA.KBVJU.4080
DESCRIPTION		CA.KBVJU.4080		